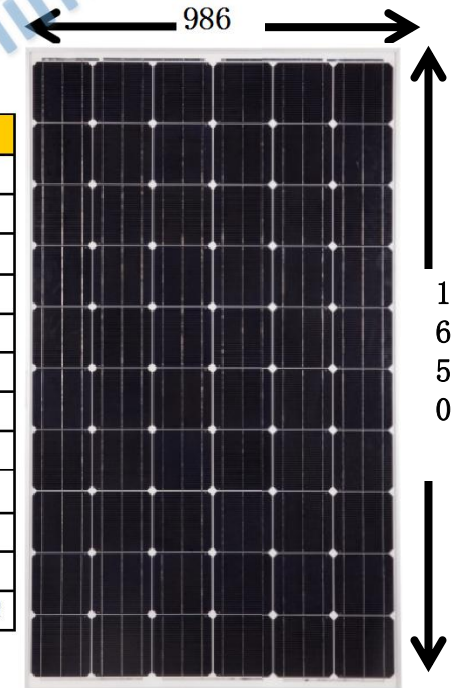


## SPECIFICATION OF 250W,260W,270W,280W,285W MONO SOLAR MODULE

### PRODUCT SPECIFICATION

Type Of Module	JCN-M250	JCN-M260	JCN-M270	JCN-M280	JCN-M285
Maximum Power (W)	250	260	270	280	285
Tolerance (%)	± 3%	± 3%	± 3%	± 3%	± 3%
Open Circuit Voltage (V)	37.5	37.5	37.5	37.5	37.5
Maximum Power Voltage (V)	29.93	29.93	29.93	29.93	29.93
Maximum Power Current (A)	8.35	8.69	9.02	9.36	9.52
Short Circuit Current (A)	9.2	9.6	9.9	10.3	10.5
Module Efficiency (%)	15.4	16	16.6	17.2	17.5
Solar Cell Efficiency (%)	18.4	19.2	20	20.6	20.9
Series Fuse Rating (A)	15	15	15	15	15
Terminal Box	IP65	IP65	IP65	IP65	IP65
Maximum system voltage (V)	DC1000	DC1000	DC1000	DC1000	DC1000
Operating Temperature(°C)	-40°C ---85°C	-40°C ---85°C	-40°C ---85°C	-40°C ---85°C	-40°C ---85°C



### PRODUCT FEATURE

- Bypass diode minimizes the power drop by shade.
- The conversion efficiency of solar cell is above 18.4%.
- White tempered glass ,EVA resin,weather proof film and anodized aluminum frame to provide efficient protection from the severest environmental conditions.
- Waterproof.Perfect for grid applications.
- Product guarantee 5 years.

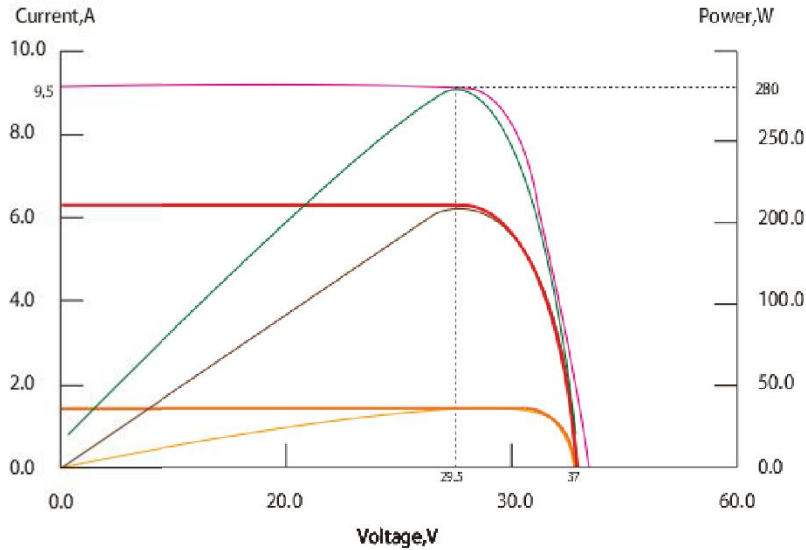
### Quality Assurance

- Electrical Insulation test
- Outdoor exposure test
- Hot-spot endurance test
- UV-exposure
- Thermal cycling test
- Humidity freeze test
- Damp heat Test
- Robustness of terminations test
- Wet leakage current test
- Mechanical load test
- Hail impact test
- Bypass diode thermal test



## Electrical Characteristics

Current-Voltage & Power-Voltage characteristics various irradiance levels



### Electric Performance Typical Performance Characteristics

Short Circuit Current Temperature Coefficient	mA/C	+2.5
Open Circuit Voltage Temperature Coefficient	V/C	-0.147
Maximum Power Temperature Coefficient	%/C	-0.4
Performance Warranty : 90%output , 12 years 80%output, 25 years		

## Physical Specifications

Dimension: 1650\*986\*40\*35mm

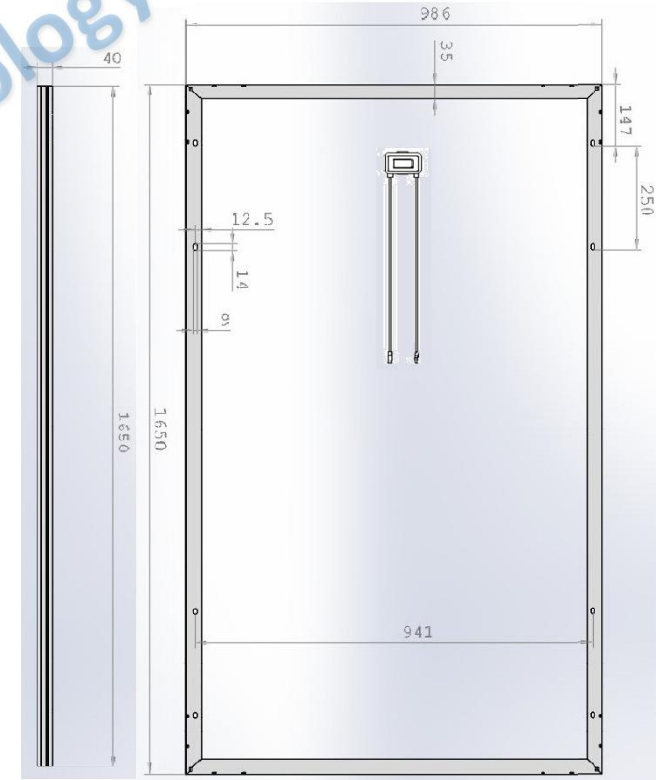
Weight: 20KG/PCS

Packing : 2pcs in one carton

### Loading Capacity:

200pcs/ 20'Container

440 pcs/ 40' Container



### SHENZHEN JCN NEW ENERGY CO.,LTD.

Add 1: No.5, Dayang Road, 2nd Industry Zone, Yulv community, Gongming Street, Guangming New District, Shenzhen  
Add 2: Buildings 6, CSST Industrial Park, Gongchang Rd., Zhenmei Village, Guangming New District, Shenzhen, Guangdong China

Tel:+86- 755 27094995 -8020

Fax: +86-755 27164829

Website: www.jcnsolar.com www.jcnsolar.com.cn

Email:belly@solarszled.com

